

Communication Racks

P97-9028

Features

- ✓ Floor mount rack with anchor holes in base
- ✓ Wide footprint for stability
- ✓ Side holes for mounting cable management or ganging racks together
- ✓ All vertical holes tapped for quick and easy mounting of components

Construction

Fully welded and rigid
Uprights fabricated from 11 Ga. (.120") steel
Base made from 3/8" Steel

Finish

Grey computer finish

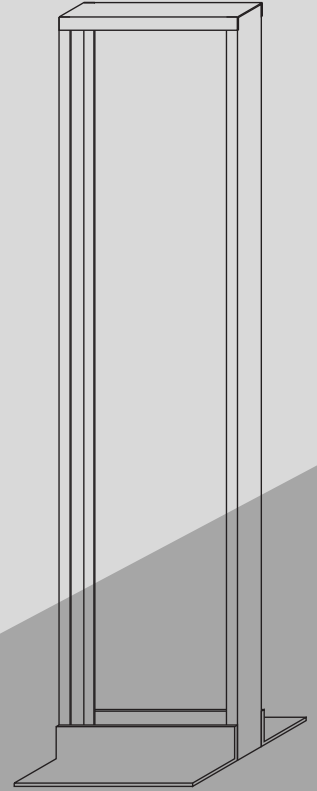
Dimensions

Height: 84 inches (7')
Base Width: 20.25 inches
Base Depth: 14.75 inches
Hole Spacing: 18.3125 inches
Rack Space: 17.75 inches

Options

Full line of accessories

- ✓ Shelves
- ✓ Patch Panels
- ✓ Cable Management



P97-9025

Features

- ✓ Floor and ceiling mount rack with anchor holes in base and top
- ✓ Wide footprint for stability
- ✓ Side holes for mounting cable management or ganging racks together
- ✓ All vertical holes tapped for quick and easy mounting of components

Construction

Fully welded and rigid
Uprights fabricated from 11 Ga. (.120") steel
Base made from 3/8" Steel, top made from 1/4" steel

Finish

Grey computer finish

Dimensions

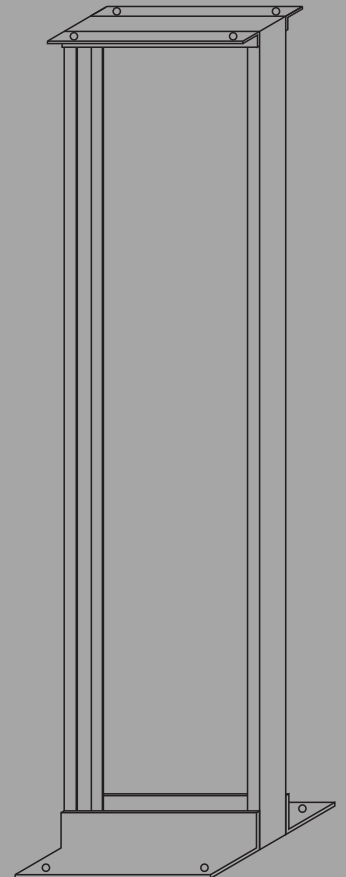
Height: 84 inches (7')
Base Width: 20.25 inches
Base Depth: 14.75 inches
Top Width: 20.25 inches
Top Depth: 7 inches
Hole Spacing: 18.3125 inches
Rack Space: 17.75 inches

Options

Full line of accessories

- ✓ Shelves
- ✓ Patch Panels
- ✓ Cable Management

P/N	Description	Price
P97-9028	7' Floor Mount Rack	
P97-9025	7' Floor & Ceiling Mount Rack	



Knock-Down Comm. Rack

P/N 3348

Features

- ✓ Floor mount rack with anchor holes in base
- ✓ Wide footprint for stability
- ✓ Side holes for mounting cable management or ganging racks together
- ✓ All vertical holes tapped for quick and easy mounting of components
- ✓ Quick assembly
- ✓ Designed for easy disassembly and ease in shipping while maintaining rack quality
- ✓ Available in either steel or aluminum

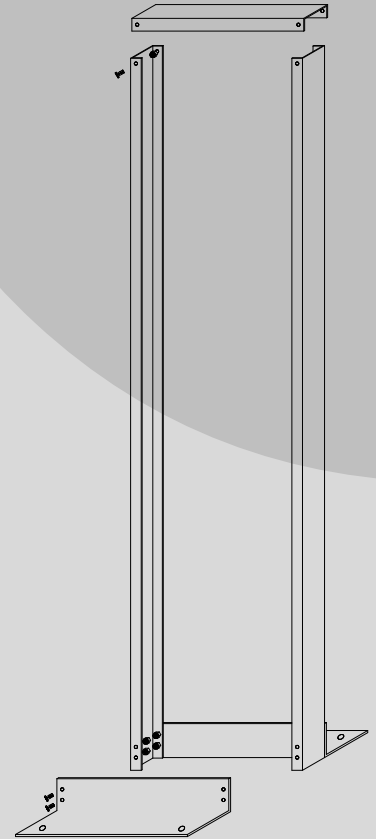
Construction

Designed for easy assembly
 Uprights fabricated from 11 Ga. (.120") steel or 11 Ga. Aluminium
 Base made from 1/4" Steel(or Aluminium)

Finish

Grey computer finish
 or
 Brushed Aluminum

"Knock-Down" Comm. Rack		
P/N	Description	Price
3347	7' Floor Mount Rack Bolt together (Steel)	
3348	7' Floor Mount Rack Bolt together (Alum.)	



Vertical Management

P97-9032

Features

- ✓ Mounts easily to either side of communication racks
- ✓ Large profile for maximum wiring capacity
- ✓ Split doors allow for vertical separation
- ✓ Openings for terminated cable and patch field
- ✓ Pinned hinges allow for door removal
- ✓ Magnetic catches for positive closure

Construction

Body fabricated from 16 GA. (.060") steel

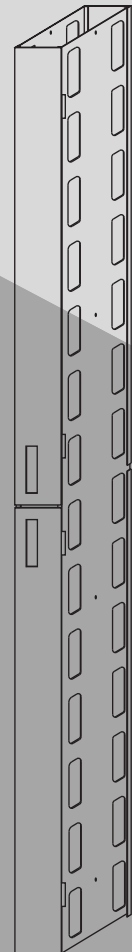
Finish

Grey computer finish

P/N	Description	Price
P97-9032	Communication Rack Vertical CMS	

Dimensions

Overall Height: 77 inches
 Depth: 7 inches
 Width: 4.125 inches
 Bottom Door Height: 37.875 inches
 (from bottom)



Horizontal Management

P97-9110

Features

- ✓ Mounts easily inside of cabinet frames or communication racks
- ✓ Deep profile for maximum wiring capacity
- ✓ Openings for termination cable and patch field
- ✓ Hinged door with magnetic catches for positive closure

Construction

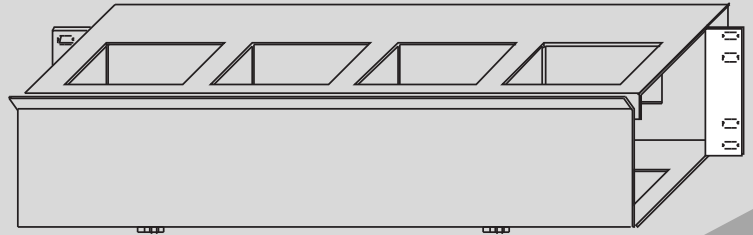
Fabricated from 16 GA. (.060") steel

Finish

Grey computer finish

Dimensions

Height: 3.5 inches
 Depth: 3.9375 inches
 Width: 16.875 inches (management space)
 Overall Width: 18.875 inches



P/M	Description	Price
P97-9110	Front Mount Horizontal Management	
P97-9122	Front Mounting Angle Horizontal Management	
P97-9123	Z-Rail Mounting Horizontal Management	

Shelves

P97-9029

Features

- ✓ Mounts easily inside of rack or cabinet
- ✓ Single piece construction for strength

Construction

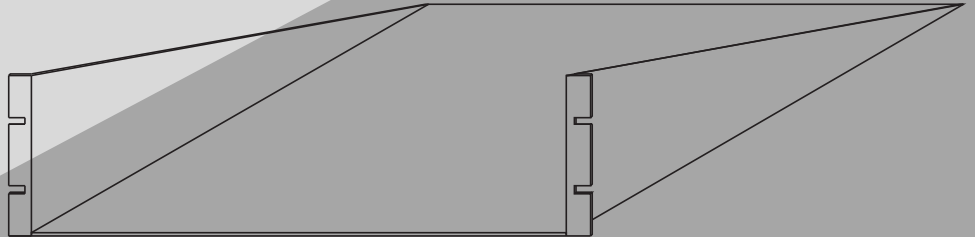
Fabricated from 16 GA. (.060") steel

Finish

Grey smooth powder paint

Dimensions

Width: 17.25 inches
 Depth: 15 inches



P/M	Description	Price
P97-9029	Standard Recessed Shelf	
P97-9030	Center Mounting Shelf	

P97-9030

Features

- ✓ Mounts easily inside of rack or cabinet
- ✓ Single piece construction for strength

Construction

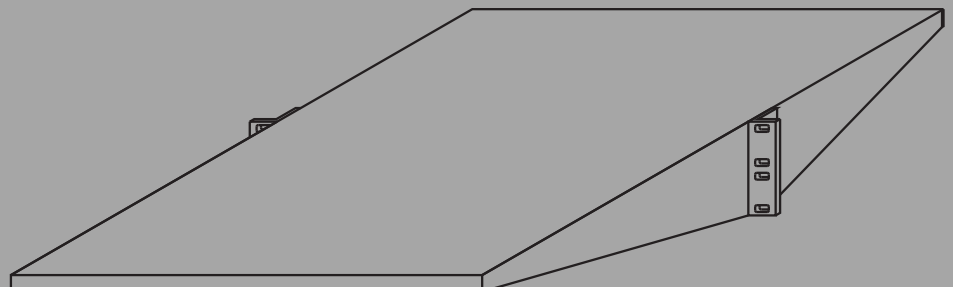
Fabricated from 16 GA. (.060") steel

Finish

Grey smooth powder paint

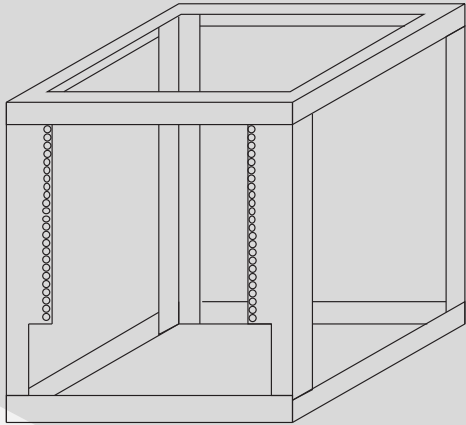
Dimensions

Width: 17.25 inches
 Depth: 19.5 inches



Wall Mount Enclosures

P92-2052



Features

- ✓ Economical wall mount or stand-alone enclosure
- ✓ Available in two heights: 29" and 45"
- ✓ Comes with bottom shelf
- ✓ Attractive durable black finish.

Construction

Constructed with 18 ga. steel
Keyed cutouts for wall mounting

Dimensions

P92-2052

29" Enclosure

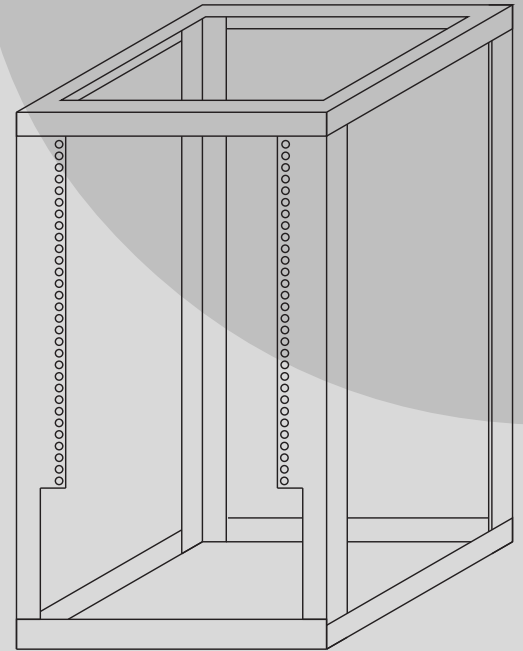
Rack space height: 18" (45.69cm)
Rack space width: 19" (48.22cm)
Depth: 18" (45.69cm)
Shelf space: 11" (27.92cm)
Outer width: 26" (66.04cm)

P92-2053

45" Enclosure

Rack space height: 32" (81.22cm)
Rack space width: 19" (48.22cm)
Depth: 18" (45.69cm)
Shelf space: 13" (27.92cm)
Outer width: 26" (66.04cm)

P92-2053



P/N	Description	Price
P92-2052	Wall Mount or Standalone 29"	
P92-2053	Wall Mount or Standalone 45"	

P91-2041

Features

- ✓ Ideal for modem shelf applications
- ✓ Cable entry provided on all four sides
- ✓ Hinged front door

Construction

16 Ga. steel

Finish

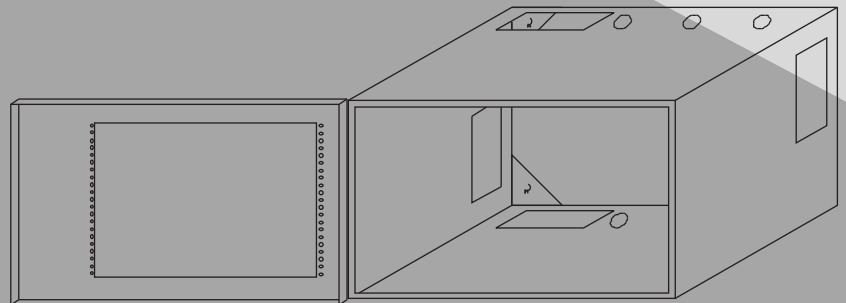
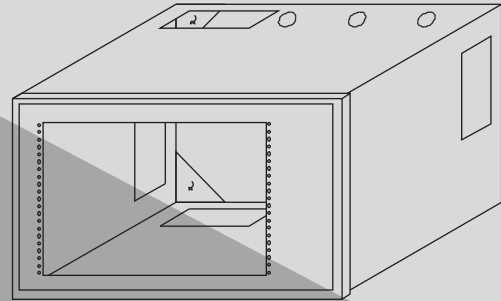
Black

Dimensions

Overall: 26"W x 15"D x 16"H (66.04cm x 38.1cm x 40.64cm)

Mounting Dimensions

Depth: 15" (38.1cm)
Width: 19" (48.26cm)
Height: 12" (30.48cm)



P/N	Description	Price
P91-2041	Hinged Front Door	

Wall Mount Enclosures

P93-2087

Features

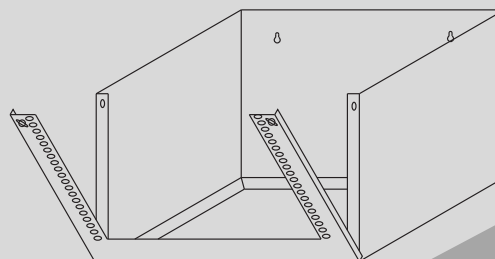
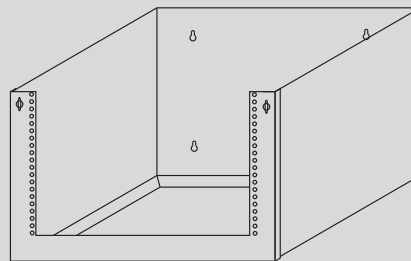
- ✓ Hinged front allows you to lower your equipment for rear access
- ✓ Quarter turn fasteners tightly secure the front to the base
- ✓ Ideal for small LAN applications

Construction

16 Ga. Steel

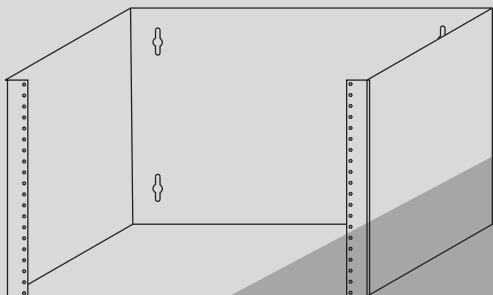
Dimensions

22"W x 14"D x 14"H (55.88cm x 35.53cm x 35.53cm)



P/N	Description	Price
P93-2087	Flip Front	

P94-3024



Features

- ✓ Light duty hinged wall mount rack
- ✓ Ideal for patch panel applications
- ✓ 10/32 panel mounting

Construction

16 Ga. Steel

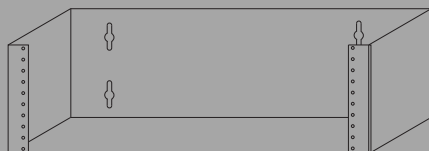
Finish

Black

Dimensions

20"W x 8"D x 12"H (50.8cm x 20.32cm x 30.48cm)

P94-3025



Features

- ✓ Light duty hinged wall mount rack
- ✓ Ideal for patch panel applications
- ✓ 10/32 panel mounting

Construction

16 Ga. Steel

Finish

Black

Dimensions

20"W x 4"D x 6"H (50.8cm x 10.16cm x 15.24cm)

P/N	Description	Price
P94-3024	Light Duty Hinged Wall Mount 12"H	
P94-3025	Light Duty Hinged Wall Mount 6"H	

Wall Mount Enclosures

P96-5009

Features

- ✓ Two stage door: Plexiglass and 3" door frame
- ✓ Allows equipment to be mounted directly to door
- ✓ Equipment can be accessed by opening the plexiglass door and serviced by opening the door frame

Construction

16 Ga. steel

Finish

Smoked black plexiglass
Black finish

Dimensions (-see drawing)

22"W x 15"D x 23"H (55.88cm x 38.10cm x 58.42cm)
A = 15" (38.10cm)
B = 23" (58.42cm)

P96-5010

Features

- ✓ Two stage door: Plexiglass and 3" door frame
- ✓ Allows equipment to be mounted directly to door
- ✓ Equipment can be accessed by opening the plexiglass door and serviced by opening the door frame

Construction

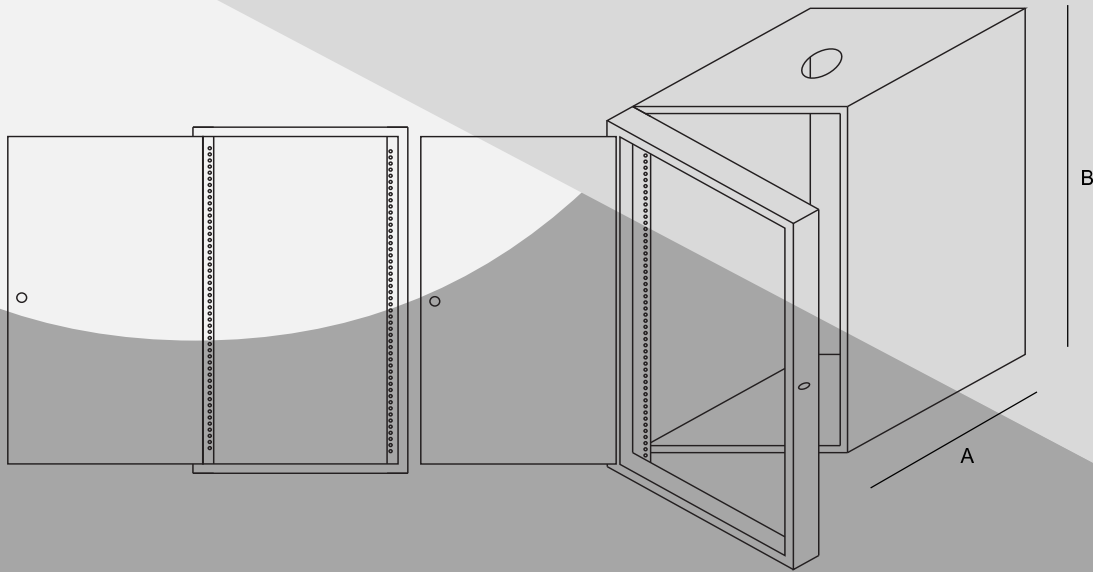
16 Ga. steel

Finish

Smoked black plexiglass
Black finish

Dimensions (-see drawing)

22"W x 21"D x 37"H (55.88cm x 53.34cm x 93.98cm)
A = 21" (53.34cm)
B = 37" (93.98cm)



P/N	Description	Price
P96-5009	Two Stage Plexiglass Door 23"H	
P96-5010	Two Stage Plexiglass Door 37"H	