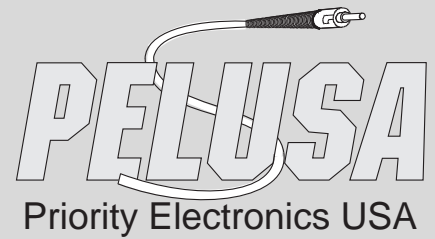
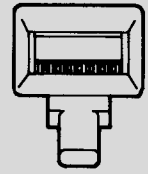
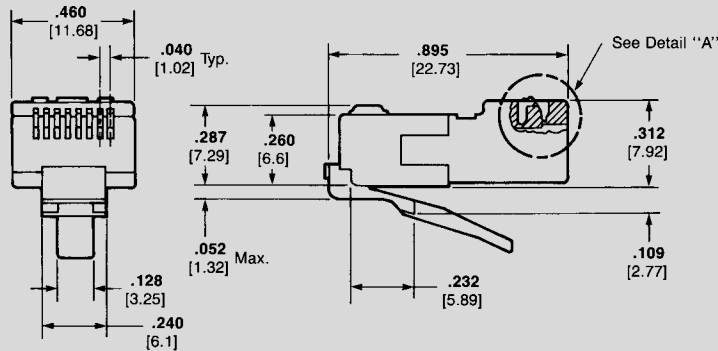




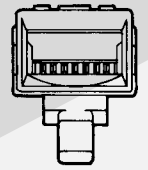
# Category 5E Modular Assemblies



PRIORITY ELECTRONICS manufactures a complete line of voice and data modular cable assemblies. PRIORITY utilizes the highest quality connectors and all assemblies are tested for continuity before shipping. All assemblies come with an anti-snag boot integral to the connector. All Category 5e assemblies are batch tested and labeled to indicate their certification. Category 5e assemblies are available in any desired length.



Flat Oval Cable



Round Cable

Latch must be in position as shown after terminating



Detail "A"

## Connector Specifications

### Electrical:

- UL Applications** - 150 volts ac max., at 1.5 amps
- Dielectric Withstanding Voltage** - 1000 volts ac
- Insulation Resistance** - 500 megohms

### Mechanical:

- Cable-to-Plug Tensile Strength** - 17 lbs (76 N) min.
- Durability** - 750 mating cycles

### Material and Finish:

- Housing** - Polycarbonate, UL 84V-0 rated
- Contact** - .014 (0.36) thk. phosphor bronze; plated .000050 (0.00127) gold in contact area and gold flash on remainder of contact, over .000100 (0.00254) nickel underplate

## Colors Available

- |        |              |
|--------|--------------|
| Blue   | Black        |
| Orange | Yellow       |
| Green  | Pink         |
| Grey   | Purple       |
| White  | Dec Grey     |
| Red    | Blue / White |

### Dimensioning:

Dimensions are in inches and millimeters. Values in brackets are metric equivalents. All dimensions are nominal unless otherwise specified.

# Cable Specification

## Quabbin Datamax Patch Cable Cat 5e

### 1) Construction

|   |  |
|---|--|
| <p>Conductor: 24 AWG 7/32 Tinned Copper</p> <p>Insulation: High Density Polyethylene, .007" Nom. Wall Thickness</p> <p>Pairs: Color coded singles twisted into pairs</p> <p>Cable: (4) Twisted pairs twisted together to form a cable core</p> <p>Jacket: Polyvinylchloride, <i>COLOR*</i>, .020" Nom. Wall thickness. Overall Cable OD</p> | <p><b>Nom Dia</b></p> <p>.024"</p> <p>.039" Max</p> <p>.078"</p> <p>.160"</p> <p>.220" Max</p> |
|---|--|

\*- A variety of colors are available see front.

### 2) Physical Properties:

|                          |                   |
|--------------------------|-------------------|
| Temperature Rating, Max. | 60 & 75 degrees C |
| WT./M', Nom., Net.       | 22.2lbs           |

### 3) Electrical Characteristics:

|                              |                                   |  |
|------------------------------|-----------------------------------|--|
| Capacitance, mutual          | 13.5 pF/ft. at 1 MHZ              |  |
| Dielectric Withstanding, Min | 1500V RMS                         |  |
| Voltage Rating, Max          | 300V                              |  |
| D.C. Resistance, Max.        | 26.0 Ohms                         |  |
| Impedance                    | 100.0 +/-15ohms from 1-100 MHZ    |  |
| Impedance, Smoothed          | 100.0 +/-10ohms Typical 5-100 MHZ |  |
| SRL                          | 23 DB 1-20 MHZ                    |  |
|                              | 23 - 10Log(F/20)20-100MHZ         |  |
| Return Loss                  | 1-10 MHZ                          | 20 + 5Log(F) DB Min                      |
|                              | 10-20 MHZ                         | 25 DB Min                                |
|                              | 20-100 MHZ                        | 25-806Log(F/20) DB Min                   |
| PS NEXT                      | 1-100 MHZ                         | 64-15Log(F/.772) Min                     |
| NEXT                         | 1-100 MHZ                         | 67-15Log(F/.772) Min                     |
| PS ELFEXT                    | 1-100 MHZ                         | 63-20Log(F/.772) Min                     |
| ELFEXT                       | 1-100 MHZ                         | 66-20Log(F/.772) Min                     |
| Attenuation                  | 1-100 MHZ                         | 1.2[1.967SQRT(F)+.023(F)+.05/SQRT(F)]Max |
| Delay                        | 1-100 MHZ                         | 534+36/SQRT(F)                           |
| Delay Skew                   | 1-100 MHZ                         | <25NS                                    |
| LCL                          | 1-100 MHZ                         | -38dB Min                                |
| NVP                          | 1-100 MHZ                         | 67%                                      |

### 4) Agency Approvals:

- (UL) Type CM
- CSA Type CMG
- ETL Verified

### 5) Application:

Jumper & Patch Cable for Cat 5e Applications

### 6) Color Code:

1. White/Blue x Blue
2. White/Orange x Orange
3. White/Green x Green
4. White/Brown x Brown

